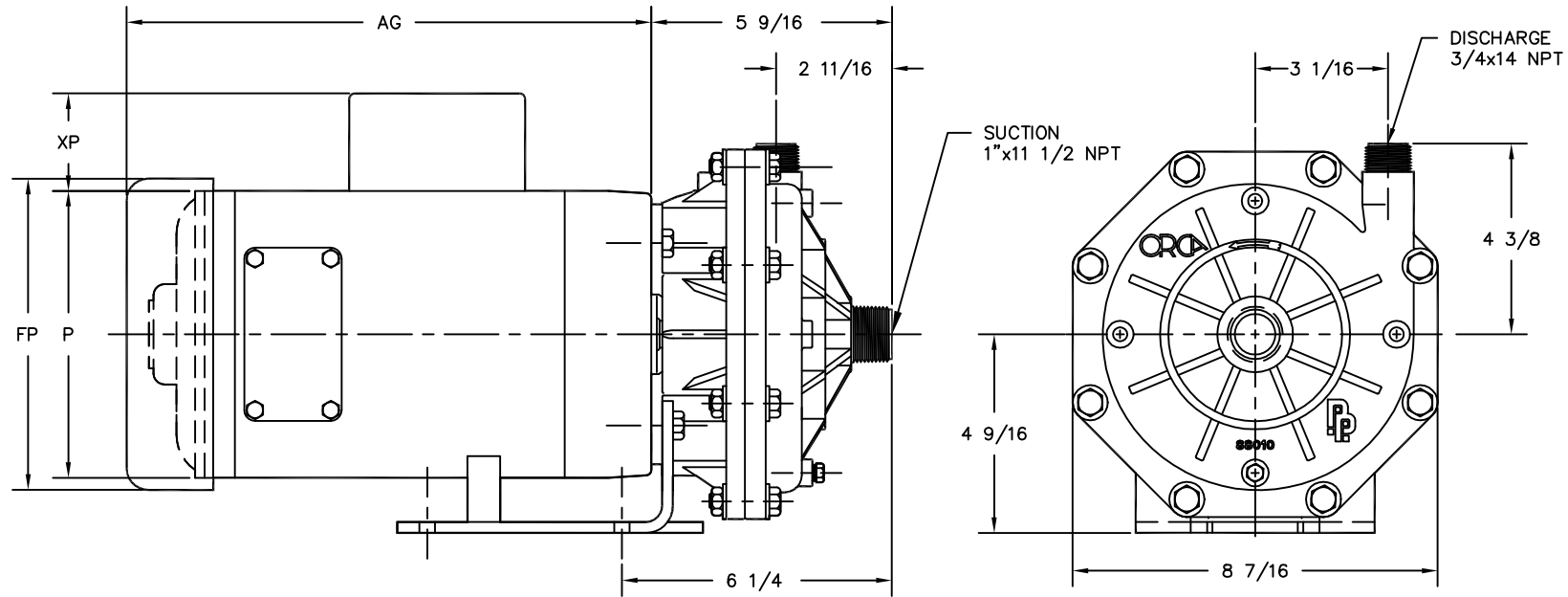
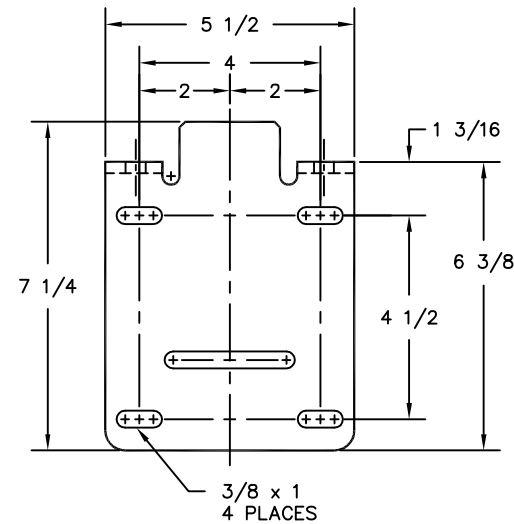


DESCRIPTION OH75 CLOSED COUPLED MOTOR PUMP ASSEMBLY	REF. NO. O-OH75	DATE 7/17/91	REV. A
--	--------------------	-----------------	-----------



HP RPM FRM	MOTOR END DIMENSIONS			
	AG	FP	P	XP
1/4 1800 56C	7 3/4	7 3/16	6 7/8	2 1/16
1/3 1800 56C	8 1/4	7 3/16	6 7/8	2 1/16
1/2 1800 56C	8 3/4	7 3/16	6 7/8	2 1/16
1/3 3600 56C	8 1/2	7 3/16	6 7/8	2 1/16
1/2 3600 56C	8 3/4	7 3/16	6 7/8	2 1/16
3/4 3600 56C	9 1/4	7 3/16	6 7/8	2 1/16
1 3600 56C	9 3/4	7 3/16	6 7/8	2 1/16
1 1/2 3600 56C	10 1/2	7 3/16	6 7/8	2 1/16
2 3600 56C	11 1/8	7 3/16	6 7/8	2 1/16
3 3600 56C	12 3/8	7 3/16	6 7/8	2 1/16

**NOTE:**  
 MOTOR DIMENSIONS WILL VARY BY MODEL AND MAKE,  
 DIMENSIONS ARE TO BE USED FOR REFERENCE ONLY.



**NOTES:**  
 1. PUMP MATERIAL; CHLORINATED POLYVINYL CHLORIDE (CPVC) OR POLYVINYLIDENE FLUORIDE (PVDF).  
 2. ALL DIMENSIONS ARE ROUNDED TO THE NEAREST 1/8 INCH.

FACTORY FAX TRANSMITTAL DRAWING