

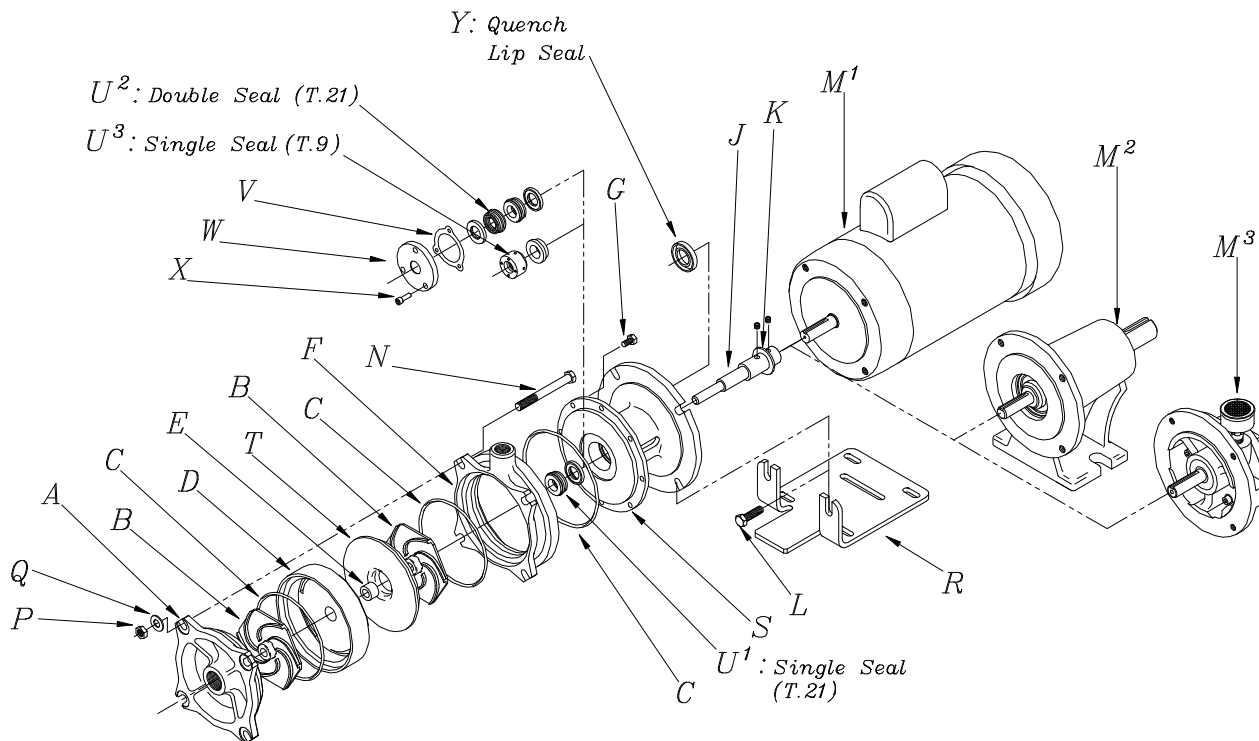


PRICE PUMP CO.

MS50SS PARTS LIST

Effective: October 29, 1997

Page 1 of 2



B. Impeller(s) (1 rqd per stage)	3040-4.12	3040-4.12	3040-4.12	3040-4.12	3040-4.12	3040-4.12
Impeller Setscrews (not shown-2 rqd per stage)	3080 (2 rqd)	3080 (4 rqd)	3080 (6 rqd)	3080 (8 rqd)	3080 (10 rqd)	3080 (12 rqd)
C. 'O' Rings (Diffuser/Volute)						
Fluorocarbon (std)	3070 (2 rqd)	3070 (3 rqd)	3070 (4 rqd)	3070 (5 rqd)	3070 (6 rqd)	3070 (7 rqd)
PTFE	3071 (2 rqd)	3071 (3 rqd)	3071 (4 rqd)	3071 (5 rqd)	3071 (6 rqd)	3071 (7 rqd)
Neoprene	3072 (2 rqd)	3072 (3 rqd)	3072 (4 rqd)	3072 (5 rqd)	3072 (6 rqd)	3072 (7 rqd)
EPR	3073 (2 rqd)	3073 (3 rqd)	3073 (4 rqd)	3073 (5 rqd)	3073 (6 rqd)	3073 (7 rqd)
D. Diffuser(s) w/Graphite Bushing	N/A	3020-1 (1 rqd)	3020-1 (2 rqd)	3020-1 (3 rqd)	3020-1 (4 rqd)	3020-1 (5 rqd)
E. Bushing(s):						
Graphite	N/A	3075 (1 rqd)	3075 (2 rqd)	3075 (3 rqd)	3075 (4 rqd)	3075 (5 rqd)
GFT	N/A	3076 (1 rqd)	3076 (2 rqd)	3076 (3 rqd)	3076 (4 rqd)	3076 (5 rqd)
F. Volute	3000	3000	3000	3000	3000	3000
G. Volute Bolts (8 rqd)	0917	0917	0917	0917	0917	0917
J. Shaft w/setscrews:						
5/8" ID	3050-1	3055-1	3060-1	3065-1	3066-1	3067-1
7/8" ID	3132-1	3133-1	3134-1	3135-1	3136-1	3137-1
K. Slinger, 7/8"	0522	0522	0522	0522	0522	0522
L. Motor Bolts (2 ea of ea rqd)	0673 & 0593	0673 & 0593	0673 & 0593	0673 & 0593	0673 & 0593	0673 & 0593
M1. Motor - Specify P/N						
M2. Power Frame 5/8" ID Shaft	5478	5478	5478	5478	5478	5478
Power Frame 7/8" ID Shaft	5501	5501	5501	5501	5501	5501
M3. Air Motor - Specify P/N						

Continued on Back

P. Stage Nuts (4 rqd)	3082	3082	3082	3082	3082	3082
Q. Washers (4 rqd)	3081	3081	3081	3081	3081	3081
R. Base	0199	0199	0199	0199	0199	0199
S. Bracket	0972	0972	0972	0972	0972	0972
T. Stage separator(s):						
Single Seal	none	3030 (1 rqd)	3030 (2 rqd)	3030 (3 rqd)	3030 (4 rqd)	3030 (5 rqd)
Double Seal	none	3030-1 (1 rqd)	3030 (1 rqd) & 3030-1 (1 rqd)	3030 (2 rqd) & 3030-1 (1 rqd)	3030 (3 rqd) & 3030-1 (1 rqd)	3030(4 rqd)& 3030-1 (1 rqd)
Suction Plate for Dbl Seal	3010-1	N/A	N/A	N/A	N/A	N/A
Seal w/Seat:						
U1. T.21 Fluorocarbon Single Seal	0553	0553	0553	0553	0553	0553
U2. T.21 Fluorocarbon Double Seal (2 rqd)	0985	0985	0985	0985	0985	0985
U3. T.9 PTFE Single Seal	1150	1150	1150	1150	1150	1150
W. Double Seal Cover	0973	0973	0973	0973	0973	0973
V. Seal Cover Gasket	0974	0974	0974	0974	0974	0974
X. Seal Cover Bolts (3 rqd)	0256	0256	0256	0256	0256	0256
Y. Quench Lip Seal Fluorocarbon	0891	0891	0891	0891	0891	0891

Part #	MS50SS Repair Parts Kits	
3101	1 Stage	Impeller setscrews (2 ea) - shaft w/ SS - Slinger
3102	2 Stage	Stage Bushing (1 ea), Imp. setscrews (4 ea), Shaft w/setscrews, Slinger
3103	3 Stage	Stage Bushing (2 ea), Imp. setscrews (6 ea), Shaft w/setscrews, Slinger
3104	4 Stage	Stage Bushing (3 ea), Imp. setscrews (8 ea), Shaft w/setscrews, Slinger
3105	5 Stage	Stage Bushing (4 ea), Imp. setscrews (10 ea), Shaft w/setscrews, Slinger
3106	6 Stage	Stage Bushing (5 ea), Imp. setscrews (12 ea), Shaft w/setscrews, Slinger
	Note:	'O' rings must be ordered separately; 1 per stage plus one
		Fluorocarbon (std) P/N 3070
		PTFE P/N 3071
		Neoprene P/N 3072
		EPR P/N 3073
	Note:	Seal/seats must be ordered in addition to repair kits by P/N.
		5/8" T.21 Fluorocarbon std. Optional T.9 single & T21 single or double seal elastomers available.
		T.9 Double Not Available