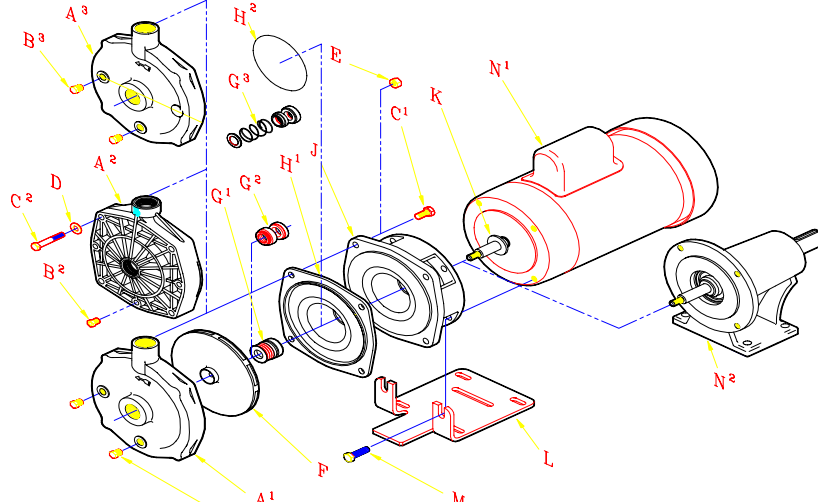




**PRICE PUMP CO.**

**HP Parts List**

Effective: December 1, 2001



Model	Volute	Bracket	Impeller
BN	Bronze	Cast Iron	CPVC
KN	Kanigen	Cast Iron	CPVC
CN	CPVC	Cast Iron	CPVC
BS	Bronze	Cast Iron	316SS
KS	Kanigen	Cast Iron	316SS
CS	CPVC	Cast Iron	316SS
SS	316SS	316SS	316SS
SC	316SS	316SS	CPVC

	<u>HP75BN/HP75BS</u>	<u>HP75KN/HP75KS</u>	<u>HP75CN/HP75CS</u>	<u>HP75SS/HP75SC</u>
A. Volute	0229 (A <sup>1</sup> )	0229KP (A <sup>1</sup> )	8300CP (A <sup>2</sup> )	0241(A <sup>3</sup> )
B. 1/8" Pipe Plug	0558 (B <sup>1</sup> )(2ea)	0559 (B <sup>1</sup> )(2ea)	8012PF (B <sup>2</sup> )(2ea)	0559 (B <sup>3</sup> )(2ea)
C. Volute Bolts (4 rqd)	0592 (C <sup>1</sup> )	0588 (C <sup>1</sup> )	1136 (C <sup>2</sup> )	0579 (C <sup>1</sup> )
D. Washers (4 rqd)	N/A	N/A	1137	N/A
E. Volute Bolt Nuts (4 rqd)	N/A	N/A	1138	N/A
F. Impeller	<u>CPVC / 316SS</u>	<u>CPVC / 316SS</u>	<u>CPVC / 316SS</u>	<u>316SS / CPVC</u>
*Specify Diameter	0918-dia*/ 0918SS-dia*	0918-dia*/ 0918SS-dia*	0918-dia*/0918SS-dia*	0918SS-dia*/0918-dia*
	<u>All Models</u>			<u>HP75SS/ HP75SC</u>
G1 T.6 Buna (std)		0118		0118 (optional)
G2 Diplo T.36 Viton (opt)		0914HP		N/A
G3 T.21Viton (Std SS/SC)		0553 (optional)		0553
H1 End Bell Gasket, EPDM (Std)		0232		N/A
H2 O-Ring ,Viton (Std)		N/A		3565
J. Bracket		0228 (CI)		0238 (316SS)
K. Slinger		0515		0515
L. Base		0199		0199
M. Motor Bolts: 2 each and 2 each		0583 0588		0583 0588
N1 Motor - Specify P/N				
N2 Power Frame		0479		0479

<b>HP Repair Parts Kits</b>			
<b>Note:</b> For HP75SC repair kits, add material code to kit number. Example: 0661SC-1			
<u>P/N</u>	<u>Includes</u>	<u>P/N</u>	<u>Includes</u>
0661-8	4.00" Imp., EPR Gasket, and Slinger	0661-2	5.50" Imp., EPR Gasket, and Slinger
0661-5	4.50" Imp., EPR Gasket, and Slinger	0661-1	5.75" Imp., EPR Gasket, and Slinger
0661-4	5.00" Imp., EPR Gasket, and Slinger	0661	6.00" Imp., EPR Gasket, and Slinger
0661-3	5.25" Imp., EPR Gasket, and Slinger		
<b>Note: Seal/Seat must be ordered in addition to repair kit.</b>			