



Mag-Drive Pumps



CD150MDSS
Shown

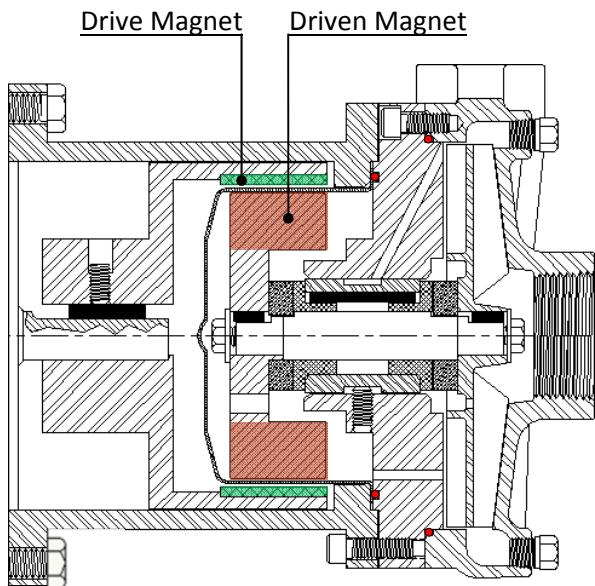
Features

- Leak-proof, magnetic drive
- Eliminates seals to reduce friction wear
- High temperature capacity
- Threaded pump connections

Applications

- Toxic or Explosive Fluids
- Aggressive Chemicals
- Biodiesel Production
- Water Treatment
- Galvanic Processes, Surface Treatments
- Scrubber Applications
- Pharmaceutical Industry
- Vapor Degreasers

Cross Section - Magnets



CD

Pump Models

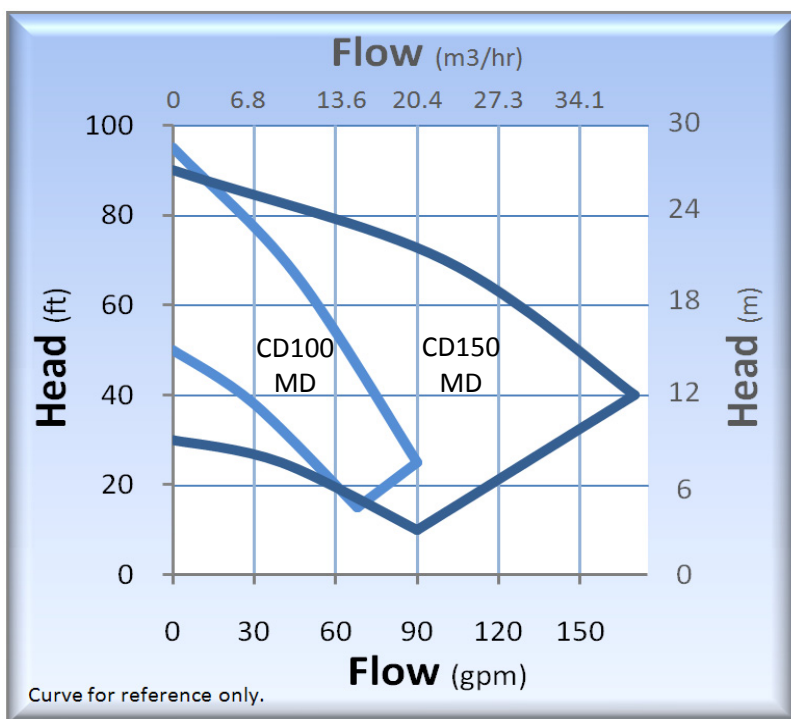
- CD100MDSS – 316 Stainless Steel
- CD150MDSS – 316 Stainless Steel

Standard Specifications

- CD100MD Discharge 1" FNPT, Suction 1-1/4" FNPT
- CD150MD Discharge 1-1/2" FNPT, Suction 2" FNPT
- Maximum Impeller Diameter: 4.94"
- Impeller Material: 316SS
- Motor: NEMA C Face
- O-rings: Viton
- Bushings: Carbon Graphite
- Thrust Washers: Ceramic
- Drive Magnets: Samarium Cobalt

Note: Call factory for additional options

Performance Curve – 60 Hz



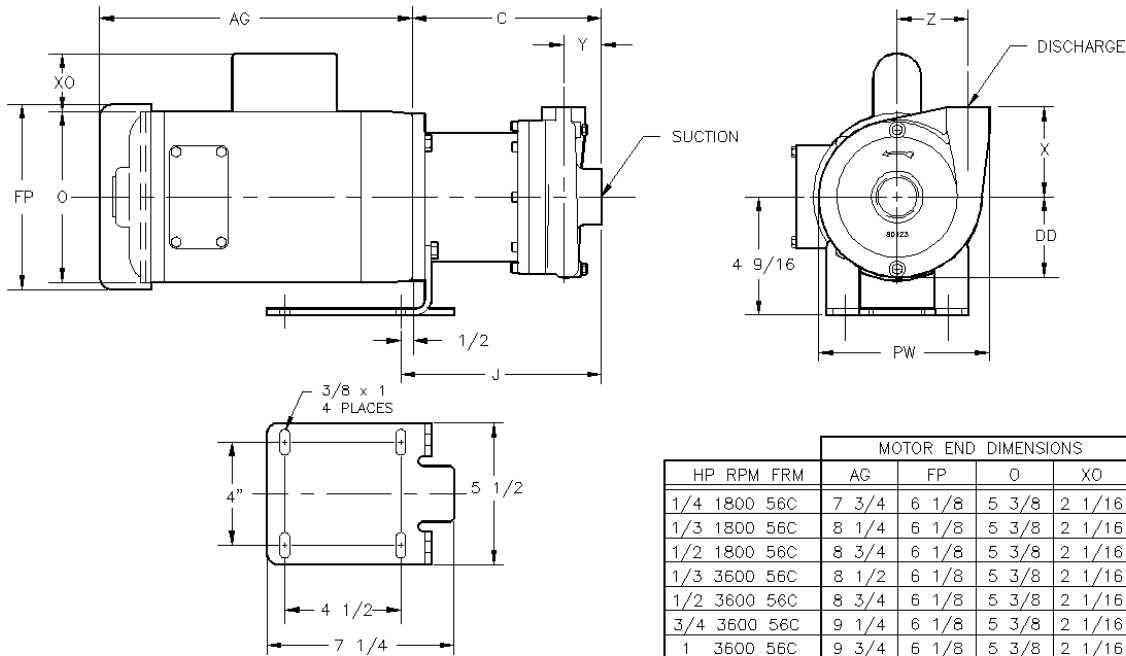
CD (MAG DRIVE)

Technical Information	
Max Flow (CD100MD)	90 GPM (20 m3/hr)
Max Flow (CD150MD)	190 GPM (43 m3/hr)
Max Head	100 feet (30.5 m)
Min. Flow (CD100MD)	12 GPM (2.7 m3/hr)
Min. Flow (CD150MD)	25 GPM (5.7 m3/hr)
Max Working Pressure	300 PSI (21 bar)
Max Temp.	350°F (177°C)*

Materials of Construction	
CDMD	SS
Volute	316 Stainless Steel
Impeller	316 Stainless Steel
Bracket	316 Stainless Steel
Fasteners	316 Stainless Steel
O-ring	Viton (STD), Teflon, Buna, EPR, Neoprene, Kalrez, & Fluoro-Silicon
Shaft	316 Stainless Steel (STD), Tungsten Carbide Coated
Bushings	Carbon (STD), Silicon Carbide
Thrust Washers	Ceramic (STD), Silicon Carbide
Magnet Cup	316 Stainless Steel
Magnets	Samarium Cobalt

* Temperature limits will vary depending on O-ring material and type of liquid being pumped.

Dimensions (CD Mag-Drive)



HP	RPM	FRM	MOTOR END DIMENSIONS			
			AG	FP	O	XO
1/4	1800	56C	7 3/4	6 1/8	5 3/8	2 1/16
1/3	1800	56C	8 1/4	6 1/8	5 3/8	2 1/16
1/2	1800	56C	8 3/4	6 1/8	5 3/8	2 1/16
1/3	3600	56C	8 1/2	6 1/8	5 3/8	2 1/16
1/2	3600	56C	8 3/4	6 1/8	5 3/8	2 1/16
3/4	3600	56C	9 1/4	6 1/8	5 3/8	2 1/16
1	3600	56C	9 3/4	6 1/8	5 3/8	2 1/16
1-1/2	3600	56C	10 1/2	7 3/16	6 7/8	2 1/4
2	3600	56C	11 1/8	7 3/16	6 7/8	2 1/4
3	3600	56C	12 3/8	7 3/16	6 7/8	2 1/4
5	3600	184C	13 5/8	8 1/2	7 7/8	2 1/4

Note:
 Motors 5 HP and above require VFD or soft starter. Motor dimensions are for reference only and will vary by model and make.
 ALL DIMENSIONS HAVE BEEN ROUNDED TO THE NEAREST 1/16".

	PUMP END DIMENSIONS								
	C	DD	PW	X	Y	Z	J	SUCTION	DISCHG
CD100 SS MAG	7 5/8	3 1/8	6 5/8	3 1/2	1 3/8	2 3/4	8 1/8	1 1/4"	1"
CD150 SS MAG	8 5/8	4 1/16	7 15/16	3 13/16	2 1/8	3 1/8	9 1/8	2"	1 1/2"

Contact factory for special pump configurations,
 same day, and next day delivery options.

